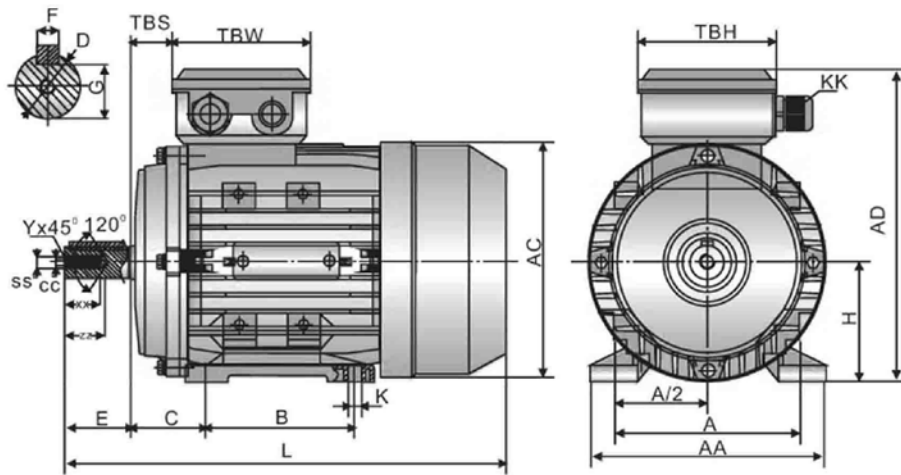




**TEC Electric Motors,
Unit 1 Building 341,
Rushock Trading Estate.
Droitwich, Worcestershire,
WR9 0NR**



B3				
H	A	B	C	K
200	318	305	133	19 x 29

Shaft						
D	E	F	G	SS	XX	ZZ
55	110	16	49	M20	42	53

General							
AA	AD	HD	AC	L	TBS	TBW	TBH
390	460	260	368	745	85	85	190

Issue 1 - 2013

