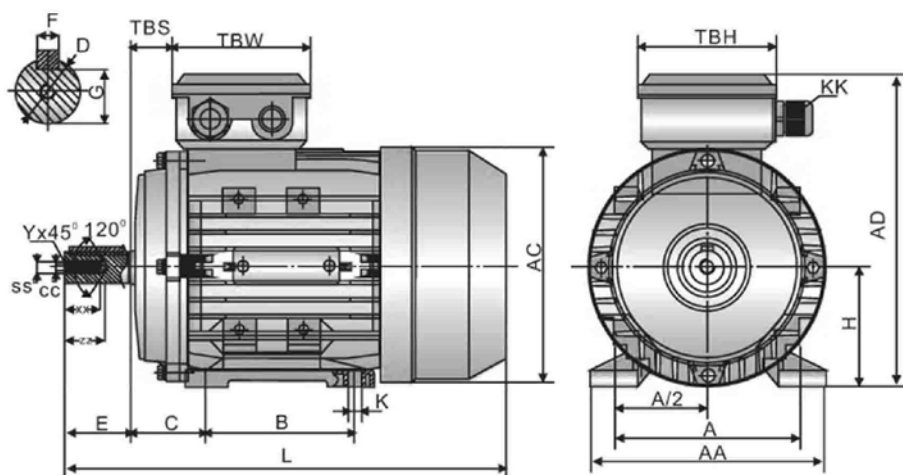




**TEC Electric Motors,
Unit 1 Building 341,
Rushock Trading Estate.
Droitwich, Worcestershire,
WR9 0NR**



| B3 | | | | |
|-----|-----|-----|----|---------|
| H | A | B | C | K |
| 132 | 216 | 140 | 89 | 12 x 15 |

| Shaft | | | | | | |
|-------|----|----|----|-----|----|----|
| D | E | F | G | SS | XX | ZZ |
| 38 | 80 | 10 | 33 | M12 | 28 | 37 |

| General | | | | | | | |
|---------|-----|-----|-----|-----|-----|-----|-----|
| AA | AD | HD | AC | L | TBS | TBW | TBH |
| 252 | 318 | 186 | 265 | 437 | 38 | 38 | 112 |

Issue 1 - 2013

