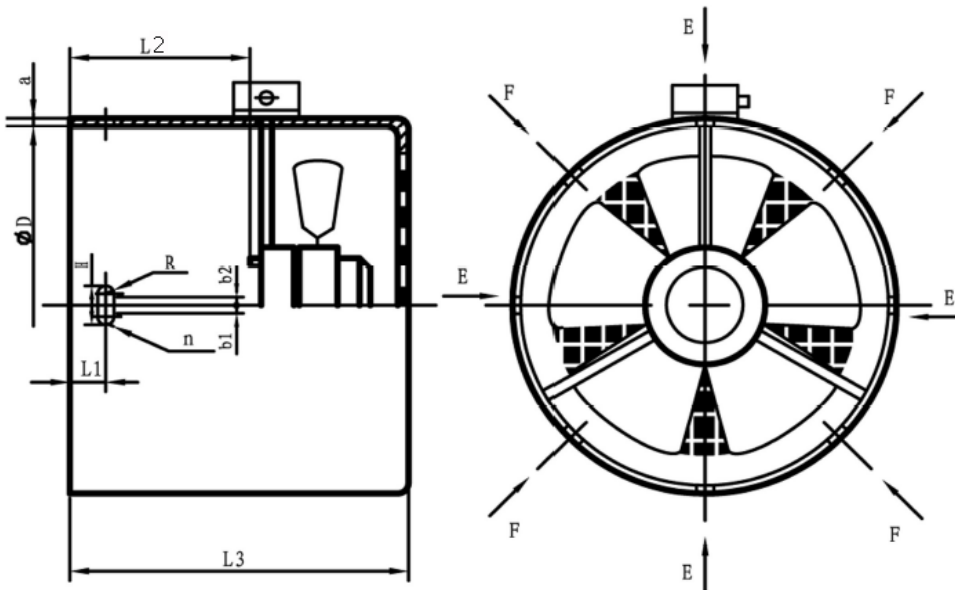




# G Series Axial Fans Technical Data

Model	Power (W)	Frequency (HZ)	Voltage	Current(A)	Speed (r/min)	Air Volume (m3/h)	Air Pressure (Pa)	Noise (dB)	Dia. of Fan blades (mm)
G-71A	25	50	230	0.13	2800	300	50	50	130
G-80A	27	50	230	0.14	2800	350	60	52	150
G-90A	28	50	230	0.14	2800	500	80	55	169
G-100A	50	50	230	0.36	2800	650	82	57	186
G-112A	65	50	400	0.21	2750	1000	110	60	210
G-132A	55	50	400	0.21	1450	880	70	60	250
G-160A	55	50	400	0.17	1400	1100	40	60	300
G-180A	50	50	400	0.17	1400	2500	55	60	340
G-200A	70	50	400	0.23	1400	2500	65	60	380
G-225A	150	50	400	0.65	1450	3800	80	60	400
G-250A	185	50	400	0.67	1420	4200	85	62	470
G-280A	250	50	400	0.7	1380	5000	100	62	530
G-315A	500	50	400	1.2	1400	6000	150	63	600
G-355A	600	50	400	1.5	900	6500	180	80	680



TYPE	D	L1	L2	L3	a	H	R	n	MOUNTING HOLE POSITION	ADD.LENGTH TO STD MOTOR
G-56	110	8	67	154	1.2	7	2.5	4	E	70
G-63	121	8	67	154	1.2	7	2.5	4	E	80
G-71	138	13	77	164	1.2	7	2.5	4	E	90
G-80	154	16.5	93	180	1.2	7	2.5	4	E	90
G-90	173	17	100	187	1.5	7	2.5	4	E	90
G-100	196	19	98	187	1.5	10	3	4	E	90
G-112	219	18.5	103	191	1.5	10	3	4	E	100
G-132	256	18.5	122	223	1.5	10	3	4	E	110
G-160	311	22	154	262	2	12	3.5	4	E	120
G-180	352	35	190	295	4	5	3.5	4	F	135
G-200	393	40	190	300	4	5	3.5	4	F	105
G-225	443	40	220	370	4	6	4.5	4	F	140