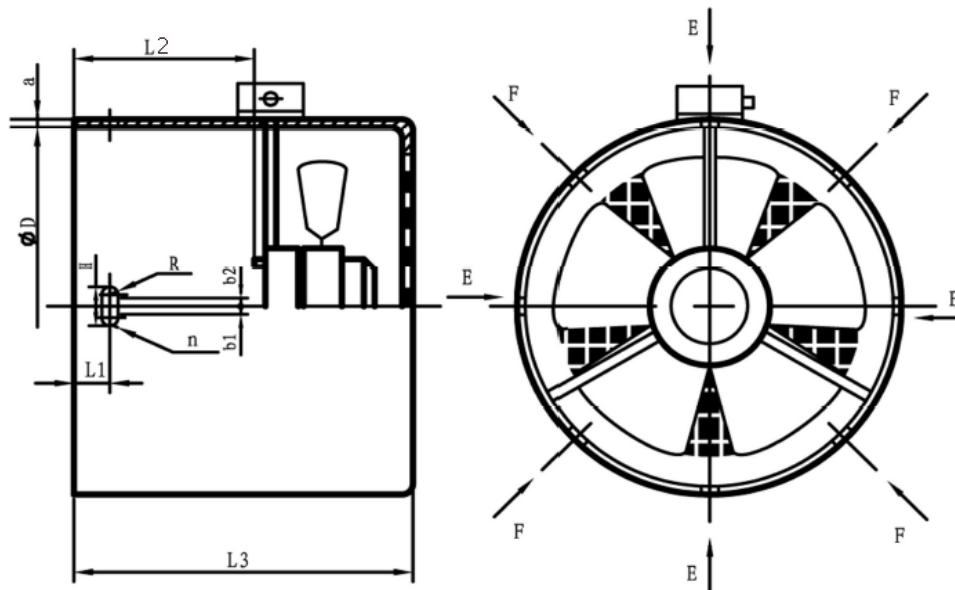


Force vent fans - Technical Data

| Model | Power (W) | Frequency (Hz) | Voltage | Current(A) | Speed (r/min) | Air Volume (m3/h) | Air Pressure (Pa) | Noise (dB) | Dia. of Fan blades (mm) |
|--------|-----------|----------------|---------|------------|---------------|-------------------|-------------------|------------|-------------------------|
| G-71A | 25 | 50 | 230 | 0.13 | 2800 | 300 | 50 | 50 | 130 |
| G-80A | 27 | 50 | 230 | 0.14 | 2800 | 350 | 60 | 52 | 150 |
| G-90A | 28 | 50 | 230 | 0.14 | 2800 | 500 | 80 | 55 | 169 |
| G-100A | 50 | 50 | 230 | 0.36 | 2800 | 650 | 82 | 57 | 186 |
| G-112A | 65 | 50 | 400 | 0.21 | 2750 | 1000 | 110 | 60 | 210 |
| G-132A | 55 | 50 | 400 | 0.21 | 1450 | 880 | 70 | 60 | 250 |
| G-160A | 55 | 50 | 400 | 0.17 | 1400 | 1100 | 40 | 60 | 300 |
| G-180A | 50 | 50 | 400 | 0.17 | 1400 | 1200 | 55 | 60 | 340 |
| G-200A | 70 | 50 | 400 | 0.23 | 1400 | 2500 | 65 | 60 | 380 |
| G-225A | 150 | 50 | 400 | 0.65 | 1450 | 3800 | 80 | 60 | 400 |
| G-250A | 185 | 50 | 400 | 0.67 | 1420 | 4200 | 85 | 62 | 470 |
| G-280A | 250 | 50 | 400 | 0.7 | 1380 | 5000 | 100 | 62 | 530 |
| G-315A | 500 | 50 | 400 | 1.2 | 1400 | 6000 | 150 | 63 | 600 |
| G-355A | 600 | 50 | 400 | 1.5 | 900 | 6500 | 180 | 80 | 680 |

Dimensions for 63-160 Frame Aluminium



| TYPE | D | L1 | L2 | L3 | a | H | R | n | MOUNTING HOLE POSITION | ADD.LENGTH TO STD MOTOR |
|-------|-----|------|-----|-----|-----|----|-----|---|------------------------|-------------------------|
| G-56 | 110 | 8 | 67 | 154 | 1.2 | 7 | 2.5 | 4 | E | 70 |
| G-63 | 121 | 8 | 67 | 154 | 1.2 | 7 | 2.5 | 4 | E | 80 |
| G-71 | 138 | 13 | 77 | 164 | 1.2 | 7 | 2.5 | 4 | E | 90 |
| G-80 | 154 | 16.5 | 93 | 180 | 1.2 | 7 | 2.5 | 4 | E | 90 |
| G-90 | 173 | 17 | 100 | 187 | 1.5 | 7 | 2.5 | 4 | E | 90 |
| G-100 | 196 | 19 | 98 | 187 | 1.5 | 10 | 3 | 4 | E | 90 |
| G-112 | 219 | 18.5 | 103 | 191 | 1.5 | 10 | 3 | 4 | E | 100 |
| G-132 | 256 | 18.5 | 122 | 223 | 1.5 | 10 | 3 | 4 | E | 110 |
| G-160 | 311 | 22 | 154 | 262 | 2 | 12 | 3.5 | 4 | E | 120 |